

# Cobra®



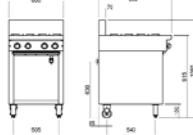

Built to redefine modular medium duty catering equipment and perfect for small to mid-size kitchens, Cobra provides a stylish, robust catering solution for budget conscious locations.





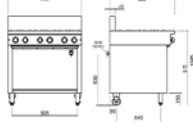

# Medium Duty Modular Kitchen Equipment

MODEL      DESCRIPTION      HOB OPTIONS      DIMENSIONS      GAS kW      PRICE (exc. VAT)



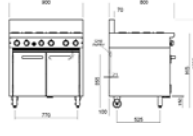

## 600mm GAS COOKTOPS - OPEN CABINET BASE

|  |   |   |   |    |          |
|--|---|---|---|----|----------|
|  <p>C6C</p> | <p>🔥 C6D<br/>4 Open Burners, LH Side,<br/>Open Cabinet Base Under</p>                                       |  |  | 22 | £1210.00 |
|  | <p>🔥 C6C<br/>2 Open Burners, LH Side,<br/>300mm Griddle Plate,<br/>RH Side, Open Cabinet<br/>Base Under</p> |  |   | 16 | £1310.00 |



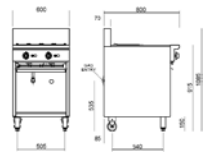


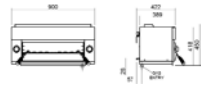


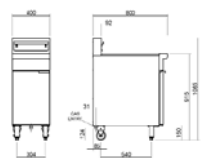


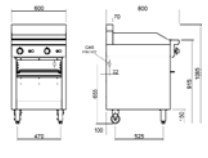
## 900mm GAS COOKTOPS - OPEN CABINET BASE

|  |   |   |   |    |          |
|--|---|---|---|----|----------|
|  <p>C9C</p> | <p>🔥 C9D<br/>6 Open Burners,<br/>Open Cabinet Base Under</p>  |  |  | 33 | £1596.00 |
|  | <p>🔥 C9C<br/>4 Open Burners, LH Side,<br/>300mm Griddle Plate,<br/>RH Side, Open Cabinet<br/>Base Under</p> |  |   | 27 | £1696.00 |

## 900mm GAS RANGES - GAS STATIC OVEN RANGE - 2/1 GN

|   |   |   |   |      |          |
|---|---|---|---|------|----------|
|  <p>CR9C</p> | <p>🔥 CR9D<br/>6 Open Burners, 2/1 GN,<br/>Static Oven Under</p> |  |  | 40.5 | £1800.00 |
|   | <p>🔥 CR9C<br/>4 Open Burners, 2/1 GN,<br/>Static Oven Under</p> |  |   | 34.5 | £1900.00 |

# Medium Duty Modular Kitchen Equipment

| MODEL  | DESCRIPTION  | HOB OPTIONS   | DIMENSIONS  | GAS kW | PRICE (exc. VAT) |
|--|--|---|---|--------|------------------|
| <b>600mm GAS COOKTOPS - OPEN CABINET BASE</b>  |  |   |   |        |                  |
|  <p>CB6</p>   | <p>CB6<br/>600mm BBQ, Mounted On Open Cabinet Base</p>                                   |    |    | 18     | £1400.00         |
| <b>900mm GAS SALAMANDER</b>  |  |   |   |        |                  |
|  <p>CS9</p>  | <p>CS9<br/>Four Position Racking (Flat or Inclined)</p>                                  |    |   | 4.4    | £990.00          |
| <b>400mm GAS FRYER - SINGLE PAN</b>  |  |   |   |        |                  |
|  <p>CS4</p> | <p>CF4<br/>20 Litre Capacity, Mechanical Controls Supplied With Two Standard Baskets</p> |  |  | 11     | £1640.00         |
| <b>600mm GAS GRIDDLE TOASTER</b>   |  |   |   |        |                  |
|  <p>CT6</p> | <p>CT6<br/>600mm Griddle, Toaster Compartment</p>  |  |  | 5.5    | £1600.00         |